

INSTRUCTIONS FOR INSTALLING A VALIDATOR ANTI-PILFERAGE GUARD KIT, P/N 1451344 OR P/N 1451345, IN NATIONAL VENDORS MERCHANDISER EQUIPPED WITH AN NB10 OR AN NB400 VALIDATOR

CHECK THE PARTS RECEIVED IN THE KIT WITH THE PARTS LIST IN THESE INSTRUCTIONS. FIGURE 1 SHOWS ALL THE PARTS IN THE KIT. IF ANY PARTS ARE MISSING, CONTACT NATIONAL VENDORS' PARTS DEPARTMENT IMMEDIATELY.

Kit 1451344 contains the following:

Part Number	Description	Quantity
1451346	Installation Instructions	1
1451342	Validator Anti-Pilferage Guard	1
1451097	No.8-32 x .31 Hex Head T/F Black Screw	1

Kit 1451345 contains the following:

Part Number	Description	Quantity
1451346	Installation Instructions	1
1451343	Validator 400 Anti-Pilferage Guard	1
1451097	No.8-32 x .31 Hex Head T/F Black Screw	1

INSTALLATION

1. Open door on merchandiser.
2. Install Anti-Pilferage Guard to cabinet brace. (Refer to Figure 2).

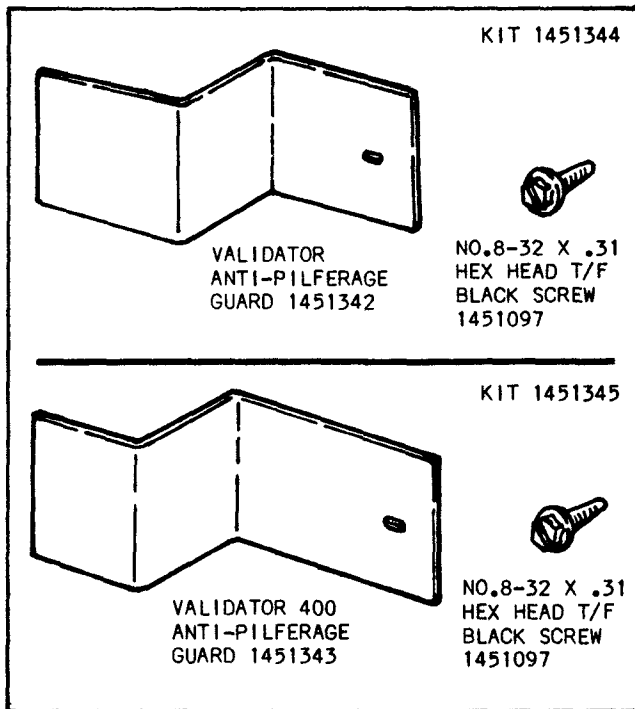


FIGURE 1

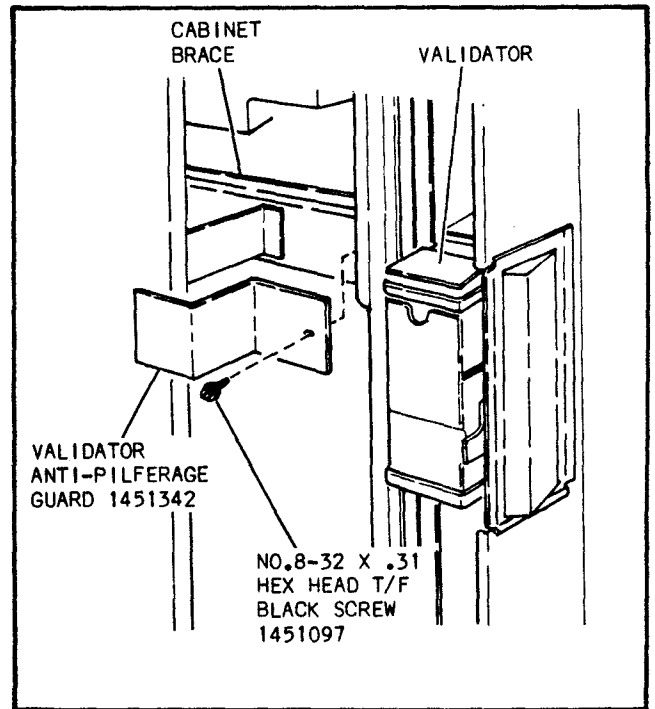


FIGURE 2